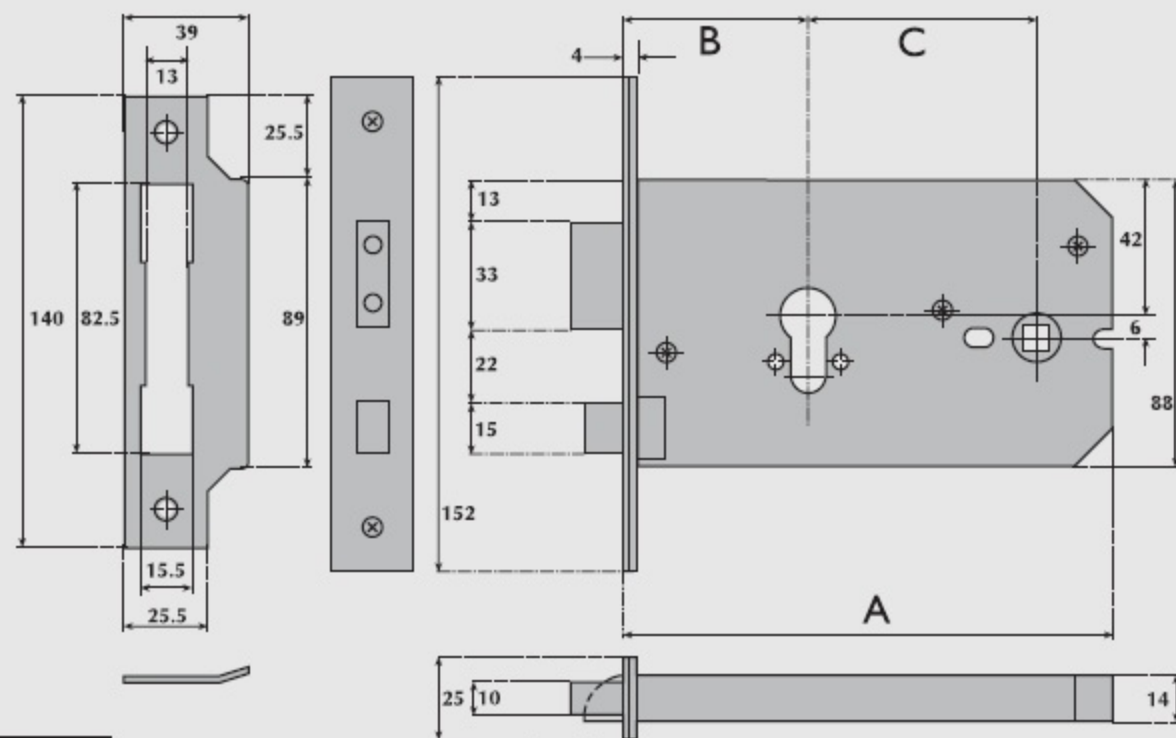


G7018 Euro-profile cylinder horizontal mortice night latch



A Lockcase	B Backset	C Centres
151mm	57mm	70mm

OPERATION:

Latchbolt operated by key from either side and knob from inside using a double cylinder.

Deadbolt operated by key from either side using a double cylinder or by key outside and thumbturn inside using a single cylinder with turn.

SPECIFICATION:

CASE.

Pierced to accept 20mm centre bolt through fixing escutcheons.

Pierced to accept 38mm centre horizontally opposed bolt through fixing furniture.

STRIKE PLATE.

Type B.

LATCHBOLT.

Brass, reversible. Projection 12mm.

DEADBOLT.

Brass, with two hardened steel rollers. Throw 14mm.

FOLLOWER.

Brass, to suit 8mm square spindle. Two-way action.

Sprung to suit knob furniture only.

CYLINDER.

Not supplied. May be used with the following cylinders:

a) Key either side such as Guardian G9001

b) Turn inside and key outside such as Guardian G9002.

REBATE UNITS

TO SUIT:

G3057-13mm G3058-19mm G3059-25mm