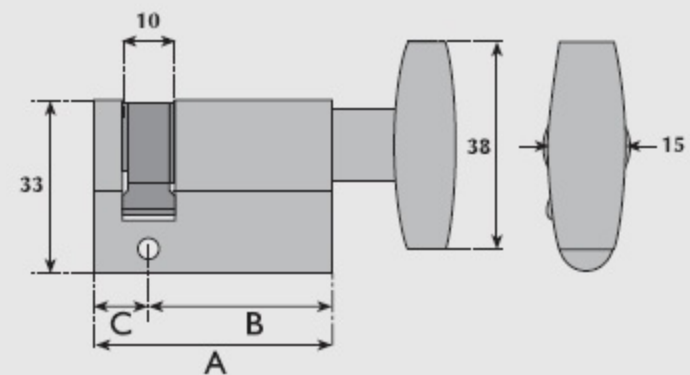
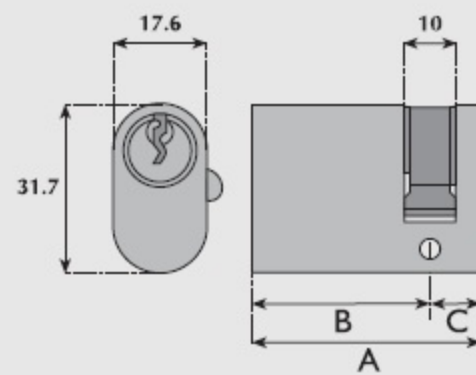
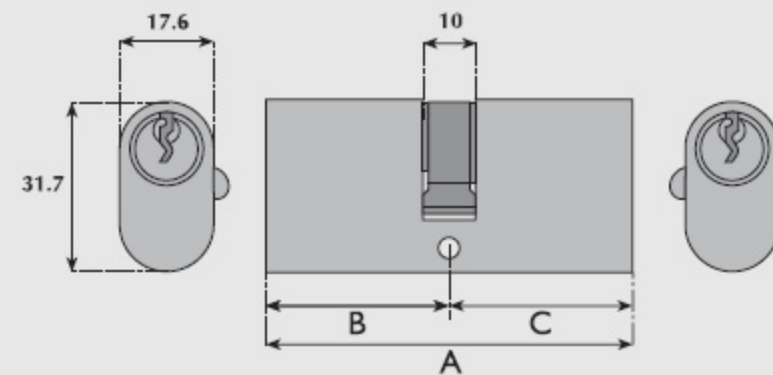


**SD9004 Euro-profile turn**

A	B	C
40.5mm	30.5mm	10.0mm
45.5mm	35.5mm	10.0mm

**G9010 MK9010 Oval-profile single**

A	B	C
40.5mm	30.5mm	10.0mm
45.5mm	35.5mm	10.0mm

**G9011 MK9011 Oval-profile double**

A	B	C
61mm	30.5mm	30.5mm
71mm	35.5mm	35.5mm

