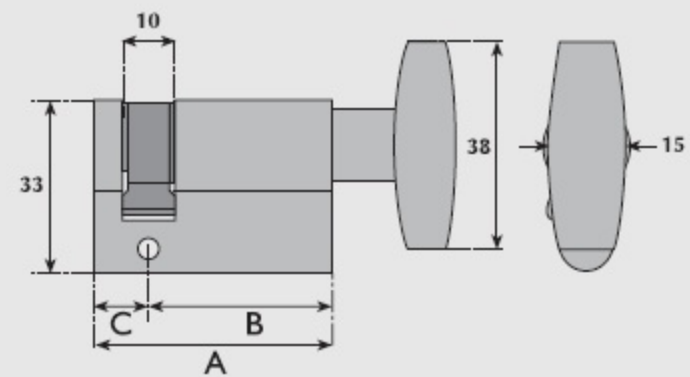
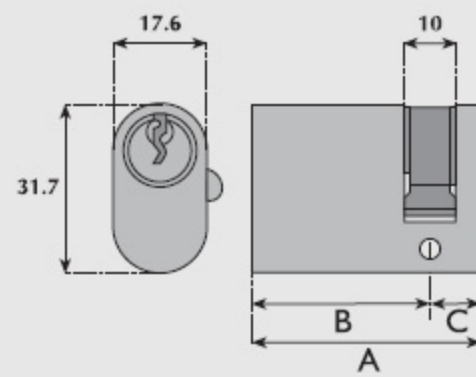
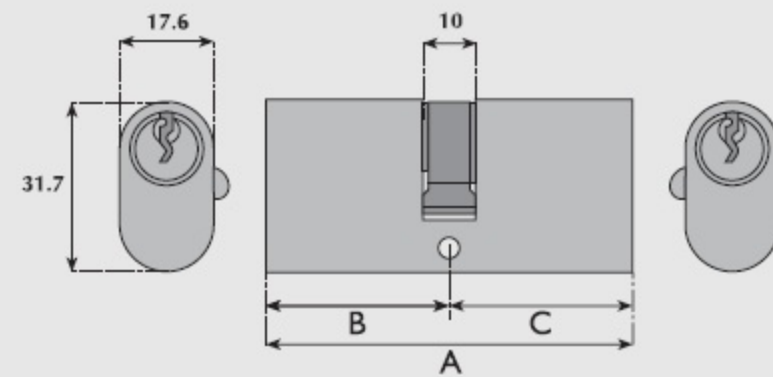


SD9004 Euro-profile turn

| A | B | C |
|--------|--------|--------|
| 40.5mm | 30.5mm | 10.0mm |
| 45.5mm | 35.5mm | 10.0mm |

G9010 MK9010 Oval-profile single

| A | B | C |
|--------|--------|--------|
| 40.5mm | 30.5mm | 10.0mm |
| 45.5mm | 35.5mm | 10.0mm |

**G9011 MK9011 Oval-profile double**

| A | B | C |
|------|--------|--------|
| 61mm | 30.5mm | 30.5mm |
| 71mm | 35.5mm | 35.5mm |

