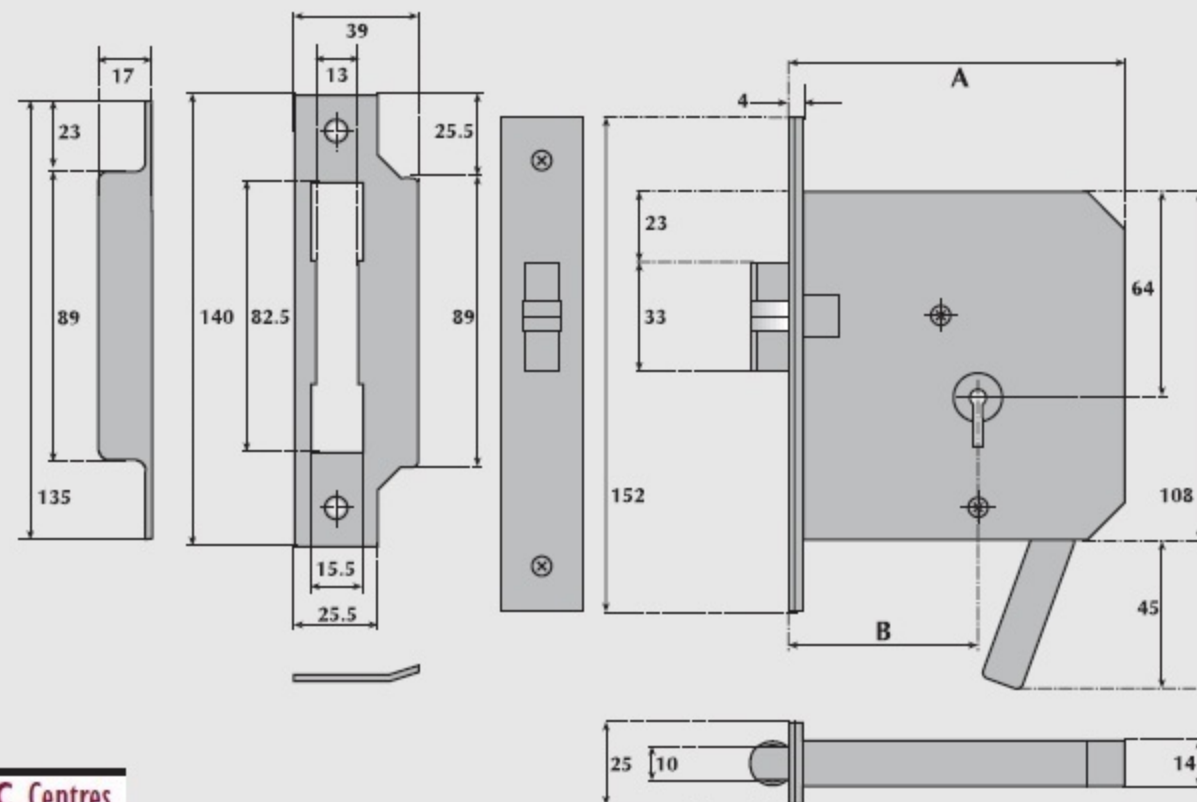


G9062 Mortice lever roller bolt escape deadlatch



A Lockcase	B Backset	C Centres
101mm	57mm	—

OPERATION:

Roller bolt operated by key or release lever from either side.

SPECIFICATION:

STRIKE PLATE.

Type B with dust box DB1.

LATCHBOLT.

Brass, roller bolt to suit either hand. Projection 12mm.

DIFFERS.

50 numbered 302-1 to 302-50 inclusive.

KEYS.

Steel, nickel plated, 2 supplied.

REBATE UNITS

TO SUIT:

RB/G3051-13mm RB/G3052-19mm RB/G3053-25mm