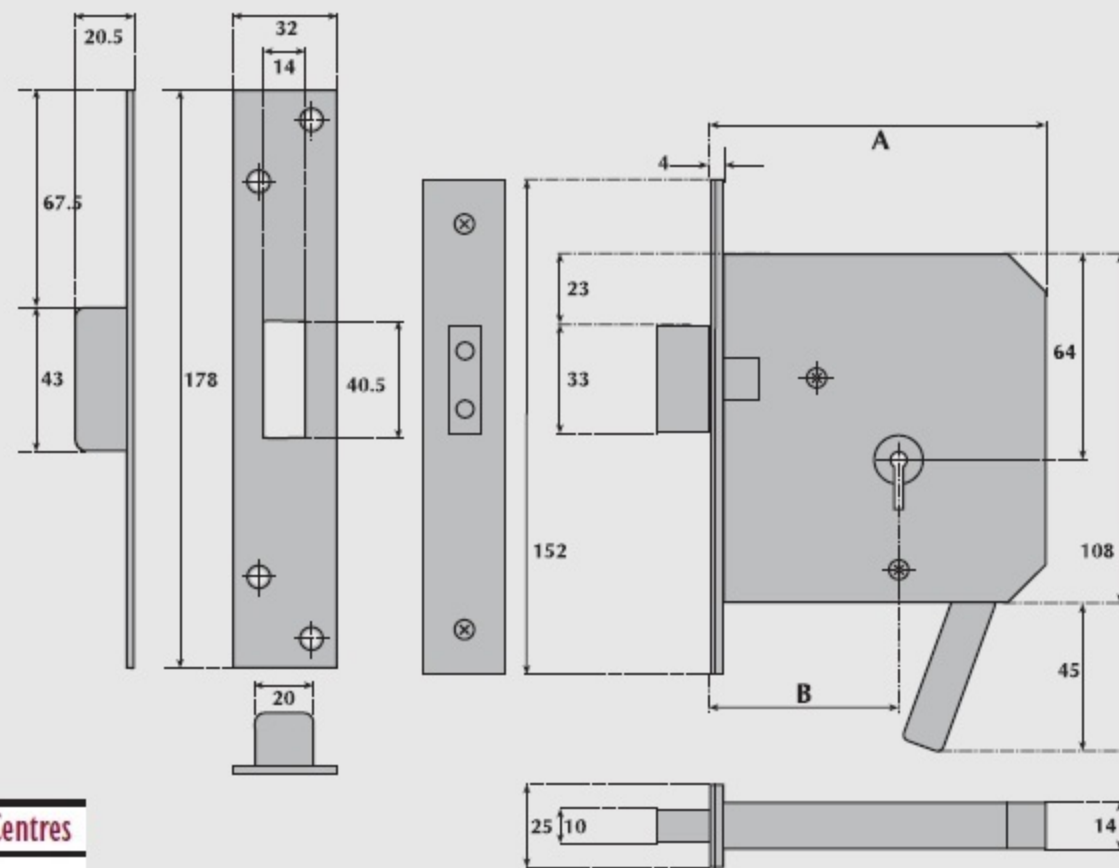


G9064 Mortice lever escape deadlock



A Lockcase	B Backset	C Centres
101mm	57mm	—

OPERATION:

Deadbolt operated by key or release lever from either side.

SPECIFICATION:

STRIKE PLATE.

Box, Type I.

DEADBOLT.

Brass, with 2 hardened steel rollers. Throw 14mm.

DIFFERS.

50 numbered 302-1 to 302-50 inclusive.

KEYS.

Steel, nickel plated, 2 supplied.

REBATE UNITS

TO SUIT:

G3051-13mm G3052-19mm G3053-25mm