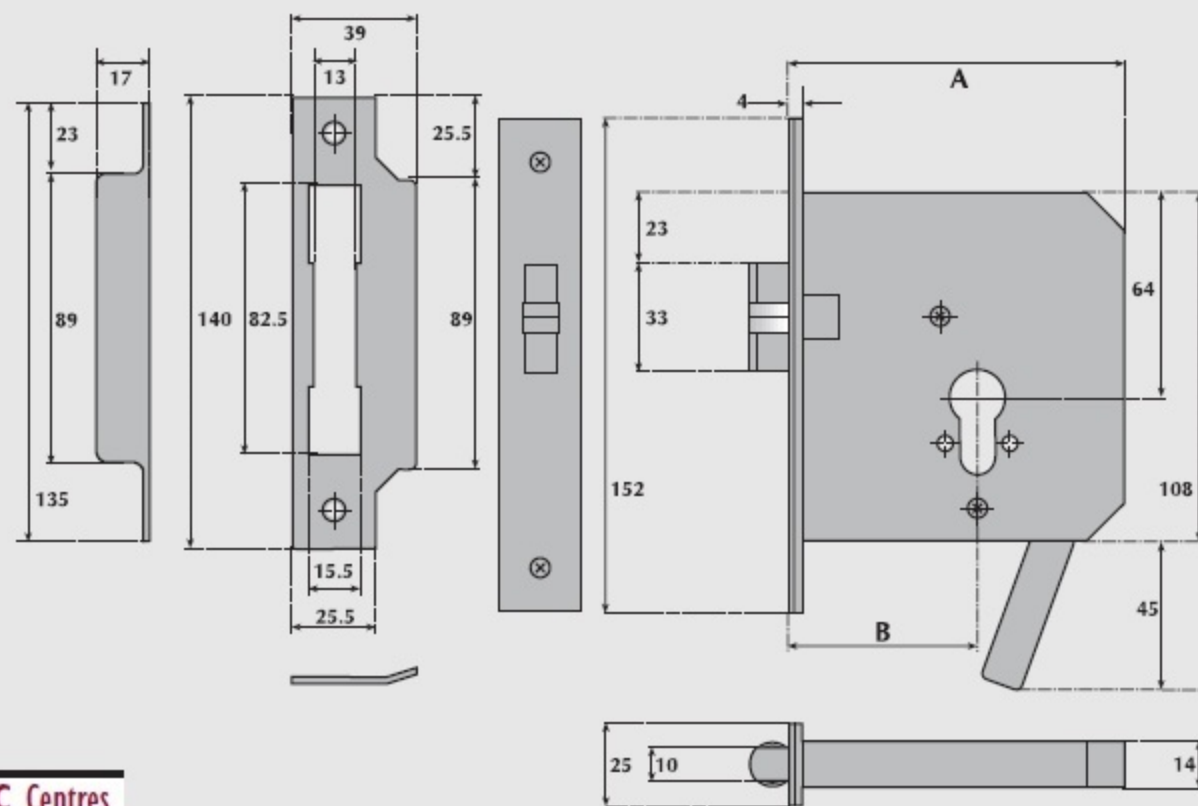


# G9762 Euro-profile cylinder mortice lever roller bolt escape deadlatch



A Lockcase	B Backset	C Centres
101mm	57mm	—

## OPERATION:

Roller bolt operated by key or release lever from either side using a double cylinder or by key one side and release lever either side using a single cylinder.

## SPECIFICATION:

**CASE.** Pierced to accept 20mm centre bolt through fixing escutcheons. May also be pierced to accept Kaba-profile cylinders— Lock ref: **KP9762**

**STRIKE PLATE.** Type B with dust box DB1.

**LATCHBOLT.** Brass, roller bolt to suit either hand. Projection 12mm.

**CYLINDER.** Not supplied. May be used with the following cylinders:

- Key one side such as Guardian G9000
- Key either side such as Guardian G9001.

## REBATE UNITS TO SUIT:

RB/G3051-13mm RB/G3052-19mm RB/G3053-25mm