

G9501 Lock guard

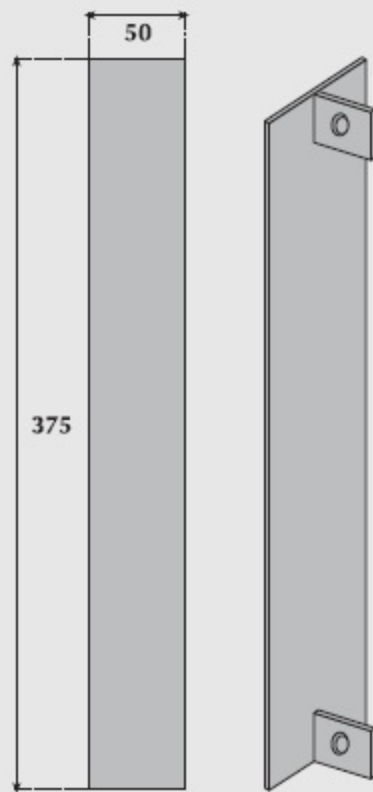


PLATE.

APPLICATION.

For fitting to the opening edge of outward opening wood doors.

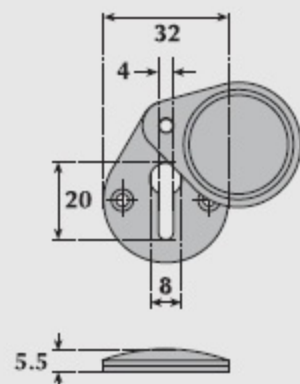
SPECIFICATION:

Steel, epoxy polyester powder coated.

FINISHES.

Silver enamel (SE).
Other finishes available.

G9513 Covered keyhole escutcheon



FINISHES.

APPLICATION.

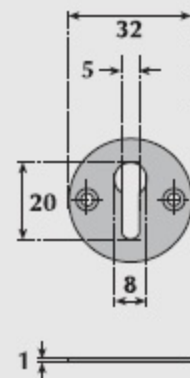
For use with mortice locks.

SPECIFICATION:

Brass.

Satin brass (SB) or satin chrome (SC)
Other finishes available.

G9514 Keyhole escutcheon



FINISHES.

APPLICATION.

For use with mortice locks.

SPECIFICATION:

Brass.

Satin brass (SB) or satin chrome (SC)
Other finishes available.