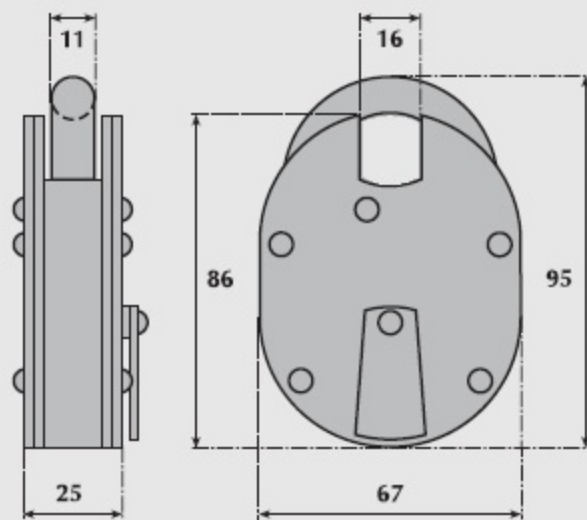


## G9510 (SG5) 5 lever padlock



### OPERATION:

Locking and unlocking by key.

### SPECIFICATION:

**BODY.**

Steel.

**SHACKLE.**

Steel, casehardened.

**FINISH.**

Hammer grey enamel.

**MECHANISM.**

5 lever.

**KEYS.**

Steel, nickel plated, 2 supplied.

**DIFFERS.**

Extensive.