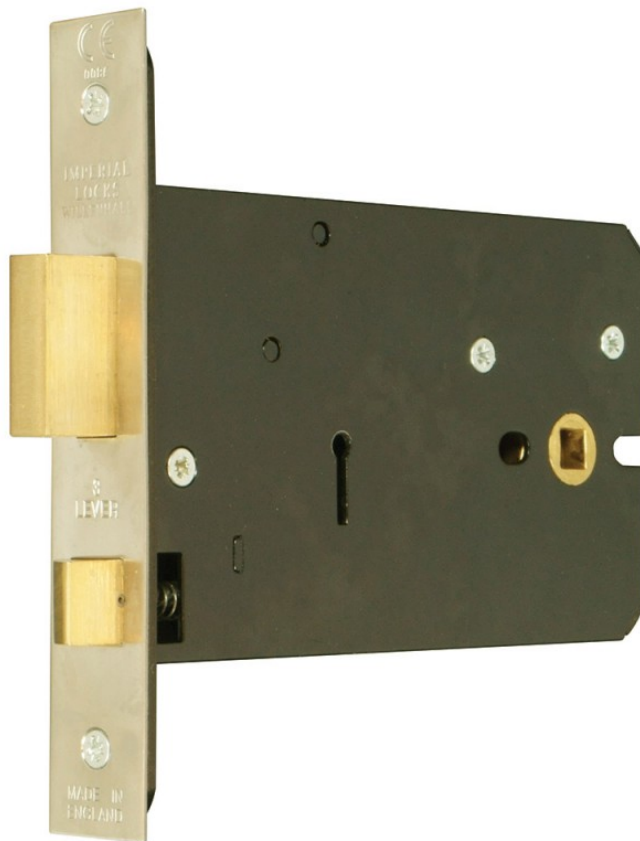


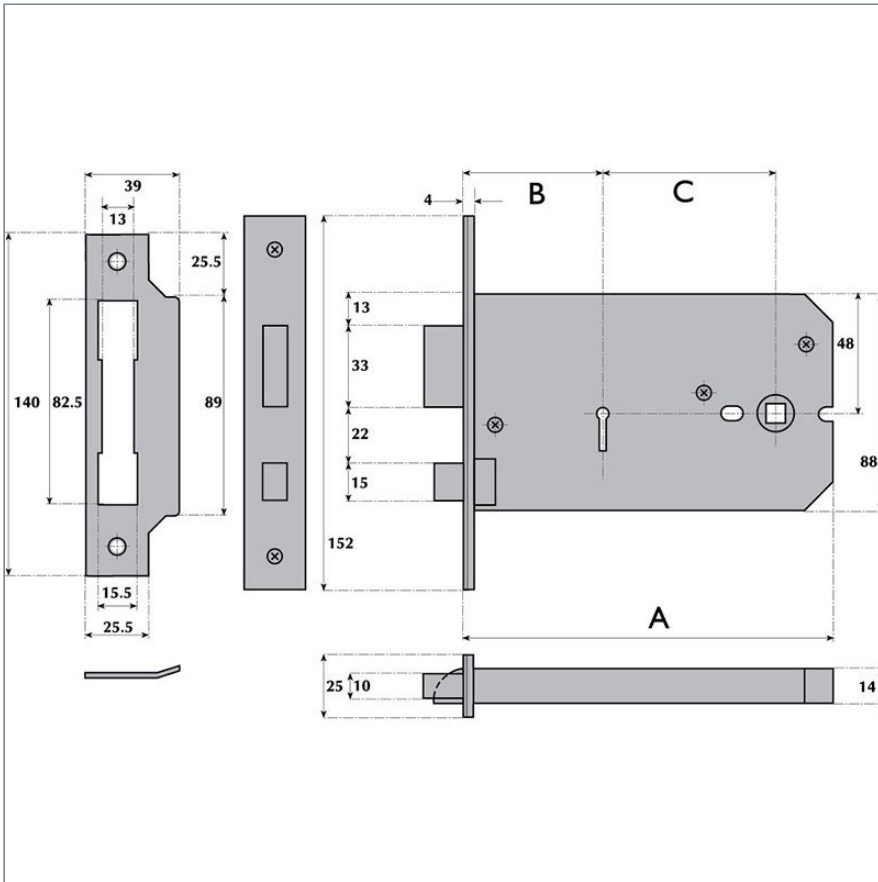


G30123 Lever Horizontal Mortice Lock



Description	3 Lever horizontal mortice lock for use on internal wooden hinged doors providing a standard level of security. CE Marked door lock Fire rated to BS EN 1634-1:2000 & Performance rated to BS EN 12209. Latchbolt operated by knob from either side Deadbolt operated by key from either side. Supplied with 2 keys, striker plate and fixing screws. Finishes stainless steel (SS) or satin brass (SB). Other finishes available. 100 standard differs.
Operation	Latchbolt operated by knob from either side Deadbolt operated by key from either side
Case	Pierced to accept 38mm centre horizontally opposed bolt through fixing furniture
Striker Plate	Type B
Latchbolt	Brass, reversible. Projection 12mm
Deadbolt	Brass. Throw 16mm

Follower	Brass, to suit 8mm square spindle Two-way action
Differs	100 numbered 301-400
Rebate Units To Suit	G3057-13mm G3058-19mm G3059-25mm
Box	DUSTBOX1 - Sold Separately
A Lock Case	151mm
B Backset	57mm
C Centres	70mm



Guardian Lock & Engineering Co Ltd. Imperial Works, Wednesfield Road, Willenhall, West Midlands, WV13 1AL, United Kingdom.

+44(0)1902 635 964 | sales@imperiallocks.co.uk