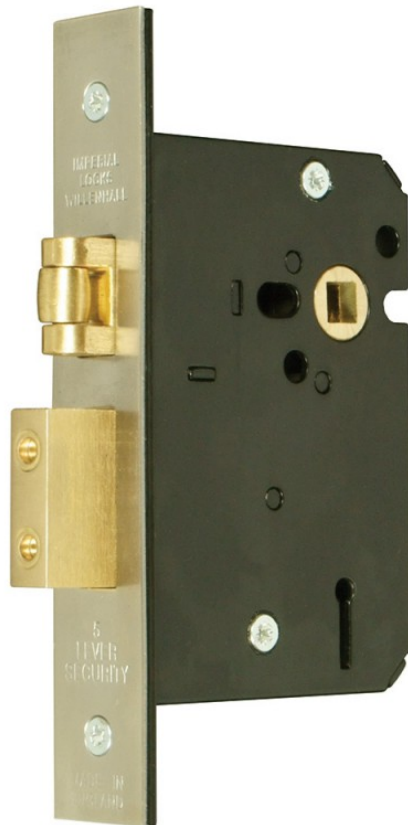


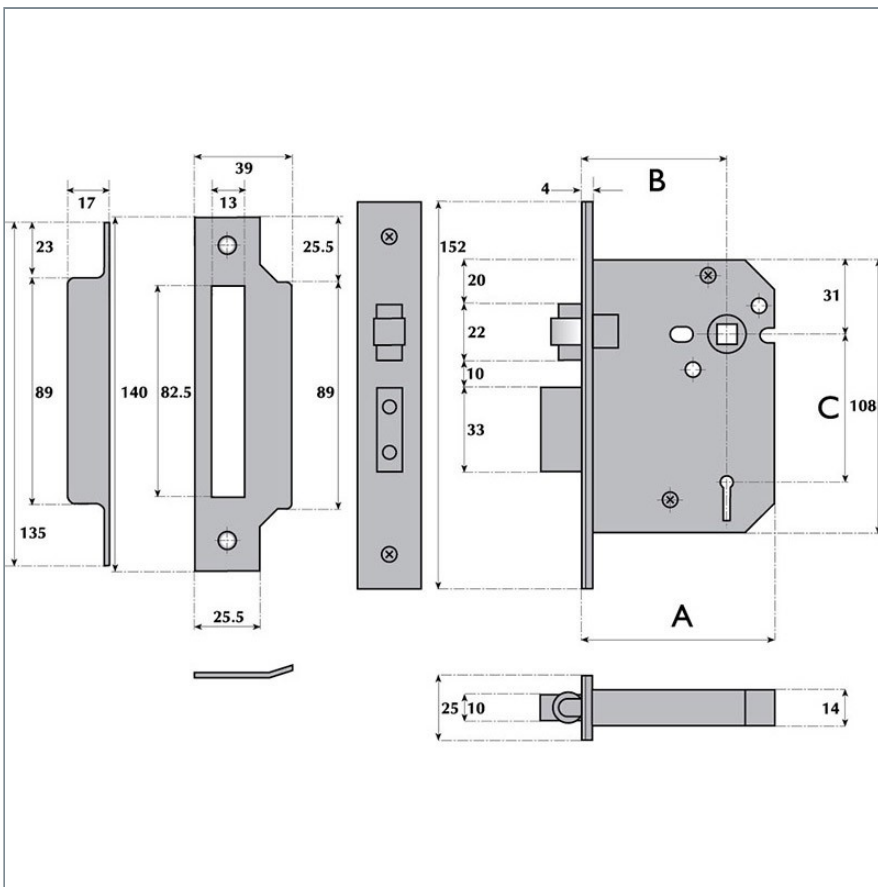


## G5002 5 Lever Mortice Roller Bolt Sashlock



|                      |   |
|----------------------|---|
| <b>Description</b>   | 5 Lever mortice roller bolt sashlock for use on external wooden hinged doors providing a high level of security. CE Marked door lock Fire rated to BS EN 1634-1:2000 & Performance rated to BS EN 12209. Roller bolt operated by lever handle from either side Deadbolt operated by key from either side. Supplied with 2 keys, striker plate and fixing screws. Finishes stainless steel (SS) or satin brass (SB). Other finishes available. 200 standard differs. |
| <b>Operation</b>     | Roller bolt operated by lever handle from either side Deadbolt operated by key from either side   |
| <b>Case</b>          | 76mm and 101mm sizes pierced to accept 38mm centre horizontally and 38mm centre diagonally opposed bolt through fixing furniture; 63mm size pierced diagonally only   |
| <b>Striker Plate</b> | Type A with dust box DB1  |
| <b>Latchbolt</b>     | Brass, roller bolt to suit either hand. Projection 12mm   |

|                             |   |
|-----------------------------|---|
| <b>Deadbolt</b>             | Brass, with two hardened steel rollers. Throw 16mm  |
| <b>Follower</b>             | Brass, to suit 8mm square spindle. One-way action. Sprung to suit sprung lever handle furniture. For unsprung lever handle furniture heavy duty springing should be specified |
| <b>Differs</b>              | 200 standard differs numbered 001-200   |
| <b>Rebate Units To Suit</b> | RB/G3051-13mm RB/G3052-19mm RB/G3053-25mm   |
| <b>A Lock Case</b>          | 63mm, 76mm, 101mm   |
| <b>B Backset</b>            | 45mm, 57mm, 82mm  |
| <b>C Centres</b>            | 57mm, 57mm, 57mm  |



Guardian Lock & Engineering Co Ltd. Imperial Works, Wednesfield Road, Willenhall, West Midlands, WV13 1AL, United Kingdom.

+44(0)1902 635 964 | sales@imperiallocks.co.uk