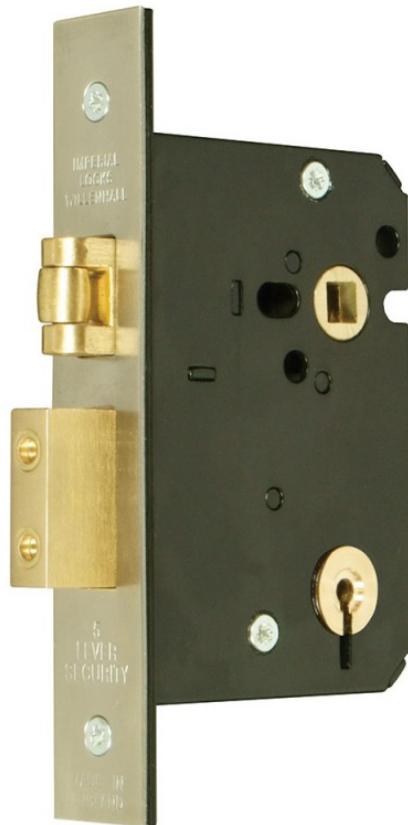


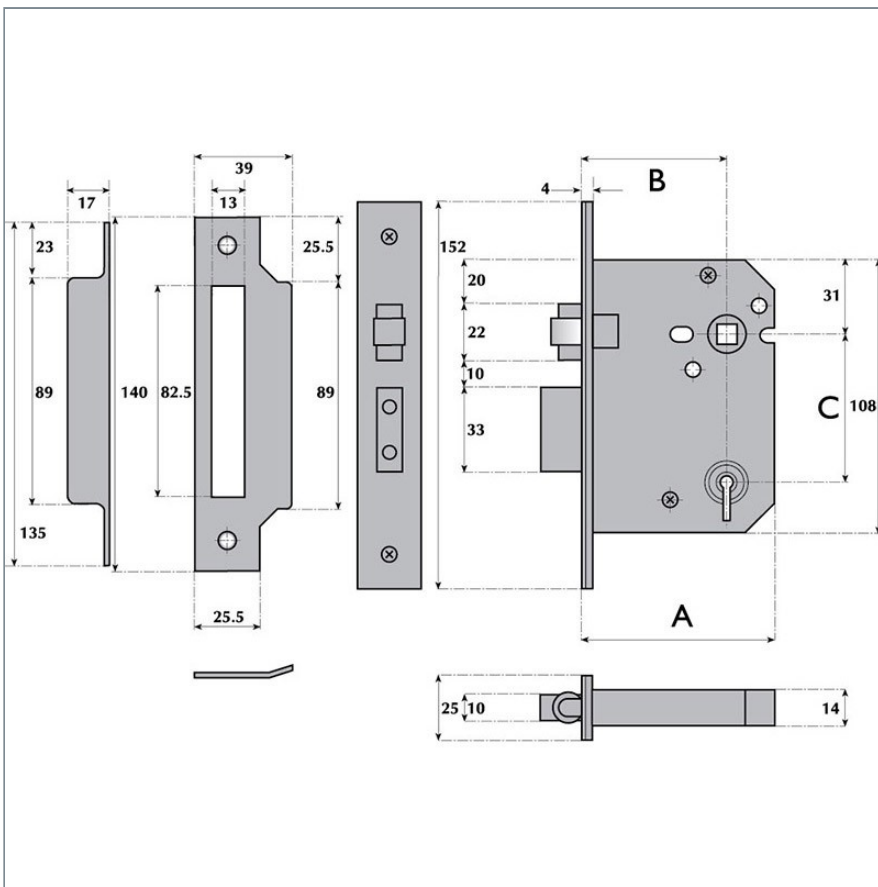


MK5002 Master Keyed 5 Lever Mortice Roller Bolt Sashlock



Description	Master keyed 5 Lever mortice roller bolt sashlock for use on external wooden hinged doors providing a high level of security. CE Marked door lock Fire rated to BS EN 1634-1:2000 & Performance rated to BS EN 12209. Roller bolt operated by lever handle from either side Deadbolt operated by key from either side. Supplied with 2 keys, striker plate and fixing screws. Finishes stainless steel (SS) or satin brass (SB). Other finishes available. Available master and sub and grand master keyed.
Operation	Roller bolt operated by lever handle from either side Deadbolt operated by key from either side
Case	76mm and 101mm sizes pierced to accept 38mm centre horizontally and 38mm centre diagonally opposed bolt through fixing furniture; 63mm size pierced diagonally only
Striker Plate	Type A with dust box DB1
Latchbolt	Brass, roller bolt to suit either hand. Projection 12mm

Deadbolt	Brass, with two hardened steel rollers. Throw 16mm
Follower	Brass, to suit 8mm square spindle. One-way action. Sprung to suit sprung lever handle furniture. For unsprung lever handle furniture heavy duty springing should be specified
Differs	Available master and sub and grand master keyed
Rebate Units To Suit	RB/G3051-13mm RB/G3052-19mm RB/G3053-25mm
A Lock Case	63mm, 76mm, 101mm
B Backset	45mm, 57mm, 82mm
C Centres	57mm, 57mm, 57mm



Guardian Lock & Engineering Co Ltd. Imperial Works, Wednesfield Road, Willenhall, West Midlands, WV13 1AL, United Kingdom.

+44(0)1902 635 964 | sales@imperiallocks.co.uk