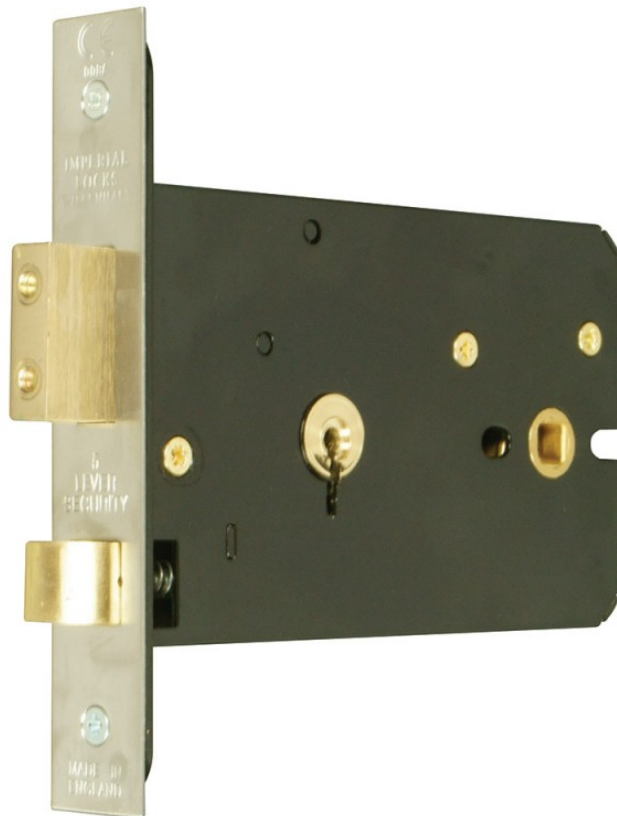


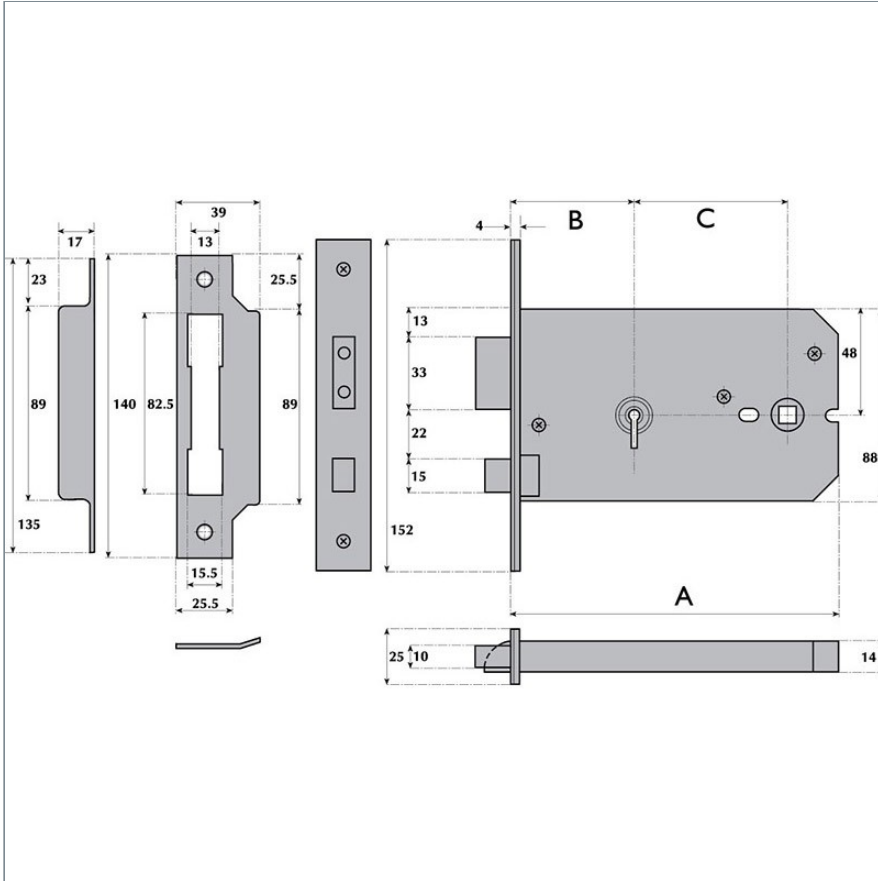


MK5012 Master Keyed 5 Lever Horizontal Mortice Lock



| | |
|----------------------|--|
| Description | Master keyed 5 Lever horizontal mortice lock for use on external wooden hinged doors providing a high level of security. CE Marked door lock Fire rated to BS EN 1634-1:2000 & Performance rated to BS EN 12209. Latchbolt operated by knob from either side Deadbolt operated by key from either side. Supplied with 2 keys, striker plate and fixing screws. Finishes stainless steel (SS) or satin brass (SB). Other finishes available. Available master and sub and grand master keyed. |
| Operation | Latchbolt operated by knob from either side Deadbolt operated by key from either side |
| Case | Pierced to accept 38mm centre horizontally opposed bolt through fixing furniture |
| Striker Plate | Type B with dust box DB1 |
| Latchbolt | Brass, reversible. Projection 12mm |
| Deadbolt | Brass, with two hardened steel rollers. Throw 16mm |

| | |
|-----------------------------|--|
| Follower | Brass, to suit 8mm square spindle Two-way action |
| Differs | Available master and sub and grand master keyed |
| Rebate Units To Suit | G3057-13mm G3058-19mm G3059-25mm |
| A Lock Case | 151mm |
| B Backset | 57mm |
| C Centres | 70mm |



Guardian Lock & Engineering Co Ltd. Imperial Works, Wednesfield Road, Willenhall, West Midlands, WV13 1AL, United Kingdom.

+44(0)1902 635 964 | sales@imperiallocks.co.uk